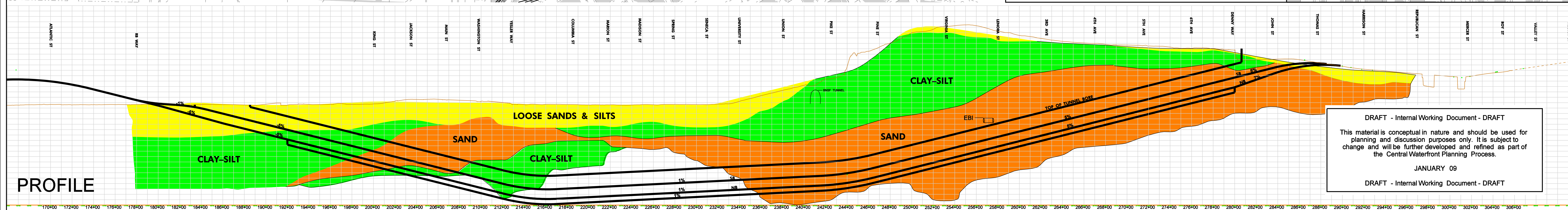
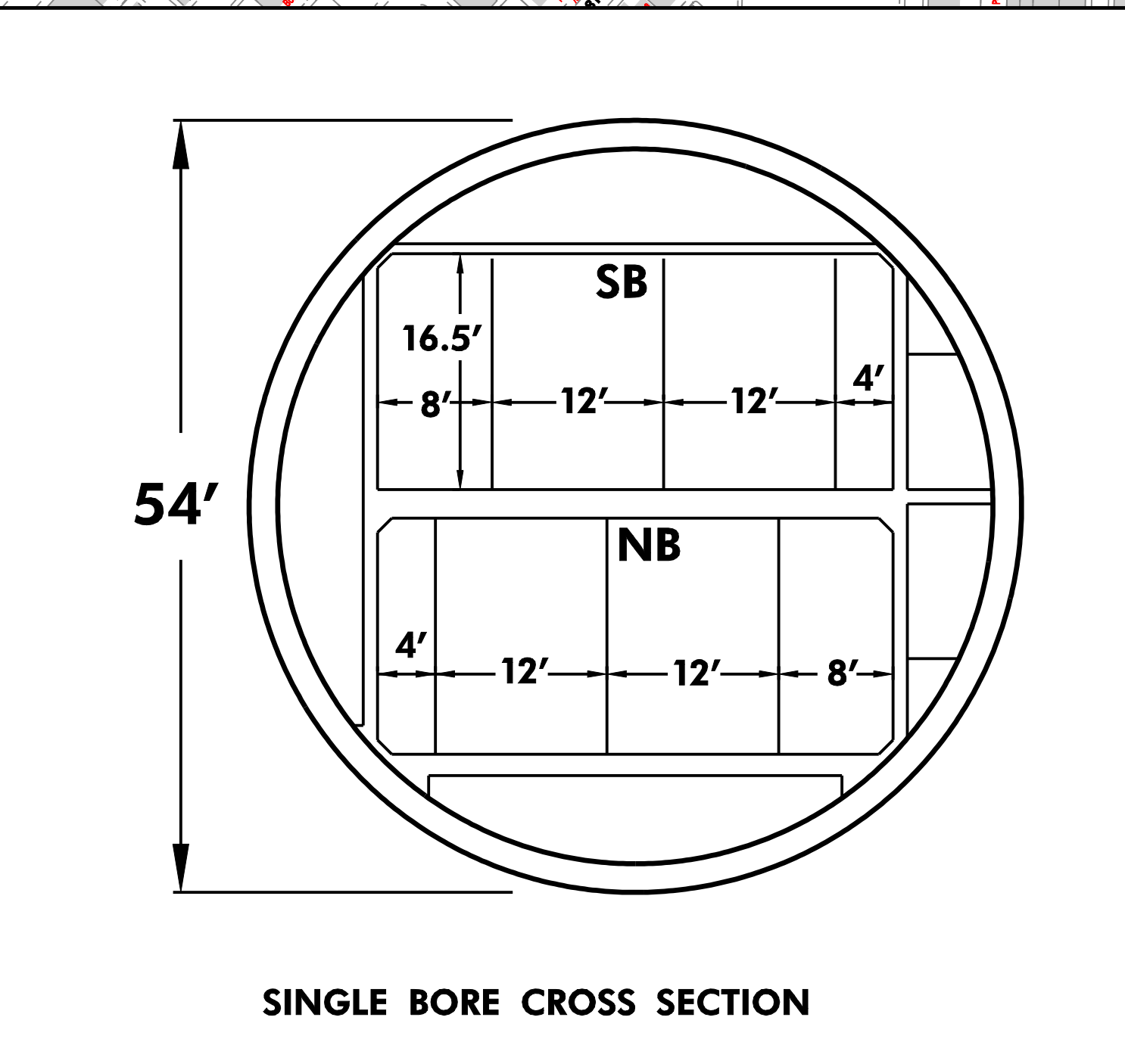
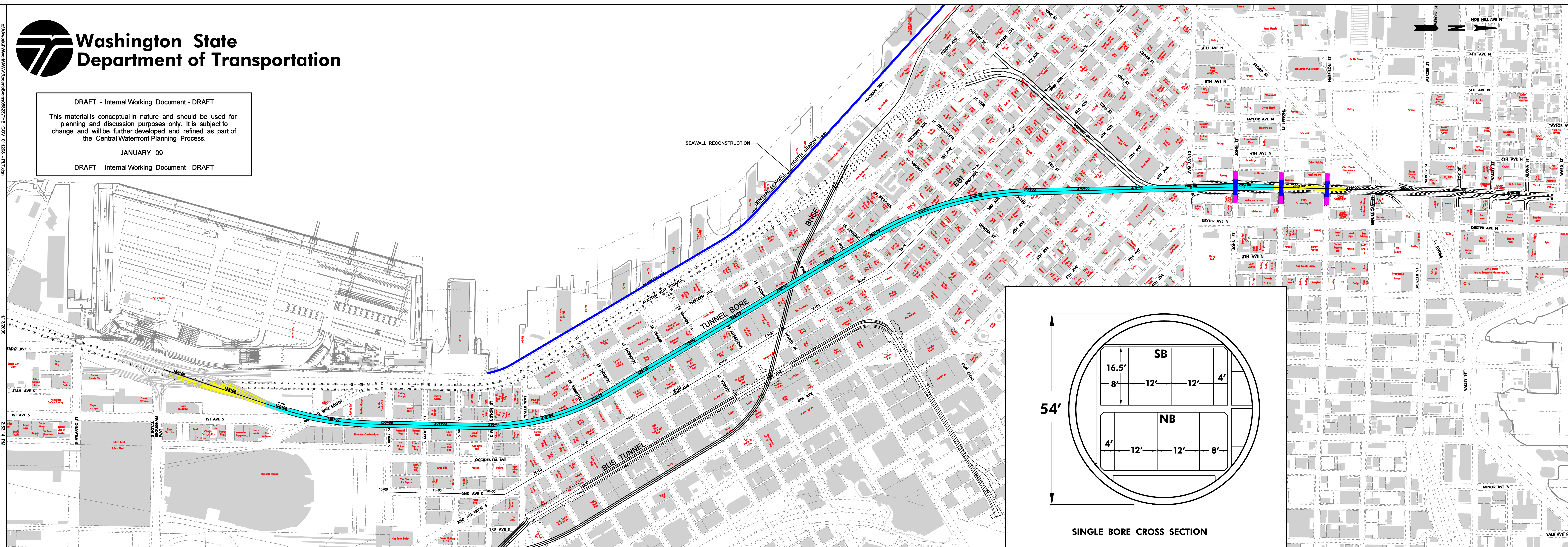


DRAFT - Internal Working Document - DRAFT
 This material is conceptual in nature and should be used for planning and discussion purposes only. It is subject to change and will be further developed and refined as part of the Central Waterfront Planning Process.
 JANUARY 09
 DRAFT - Internal Working Document - DRAFT



DRAFT - Internal Working Document - DRAFT
 This material is conceptual in nature and should be used for planning and discussion purposes only. It is subject to change and will be further developed and refined as part of the Central Waterfront Planning Process.
 JANUARY 09
 DRAFT - Internal Working Document - DRAFT

PROFILE

170100 172100 174100 176100 178100 180100 182100 184100 186100 188100 190100 192100 194100 196100 198100 200100 202100 204100 206100 208100 210100 212100 214100 216100 218100 220100 222100 224100 226100 228100 230100 232100 234100 236100 238100 240100 242100 244100 246100 248100 250100 252100 254100 256100 258100 260100 262100 264100 266100 268100 270100 272100 274100 276100 278100 280100 282100 284100 286100 288100 290100 292100 294100 296100 298100 300100 302100 304100 306100